

USER MANUAL

PHASER

Thank you for spending time and money to buy this modulation pedal of Phaser. This Phaser is designed for guitar with psychedelic phase effects. Smaller but doesn't mean weaker or lower quality and the music world is perfect proof of this. We hope that you will enjoy using it.

Attentions

Power Supply

Please make sure your pedal is connected to an DC adapter with 9V ($\pm 10\%$) voltage. Unplug the DC adapter when not using the product or during the thunder storm.

Connections

Please always turn off the power of the equipment when connecting or disconnecting with the pedal. It will help to prevent the damage cause to this product and other relevant equipment.

Interference

Radio and television which is placed nearby the pedal may cause reception interference. Please use the product in a suitable distance from radios and television.

Location

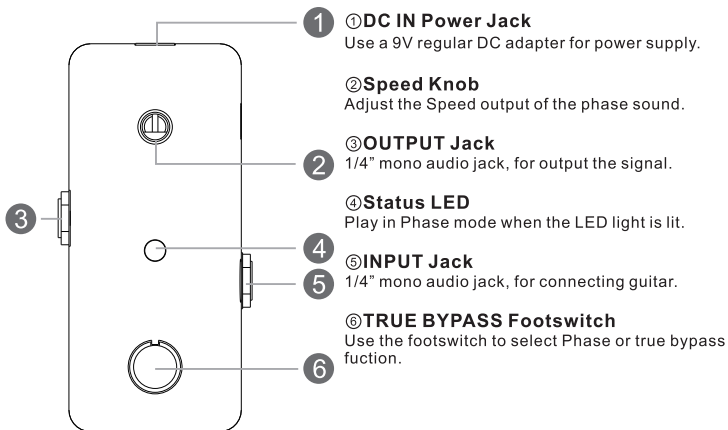
To avoid deformation, discoloration, or other damage to the product. Please do not expose the unit to the following conditions:

- Direct sunlight
- Heat sources
- Magnetic fields
- Extreme temperature or humidity
- Excessive dusty or dirty location
- High humidity or moisture
- Strong vibrations or shocks

Main Characteristic

- Analog circuit phase pedal, excellent dynamic response
- Warm and full of phase tone, psychedelic phase effects
- Only one knob to control phase speed
- Full metal shell compact design with small-sized
- True bypass switch, DC 9V adapter power supply

Control Panel Instruction



Technical Specifications

INPUT	1/4" monaural jack(impedance:2.2M Ohms)
OUTPUT	1/4" monaural jack(impedance:150K Ohms)
Power Supply	DC adapter 9V
Current Draw	5mA(DC 9V)
Dimensions	90mm(D) x 40mm(W) x 49.5mm(H)
Weight	300g
Accessories	User manual