

USER MANUAL

NOISE GATE

The Noise gate pedal is designed for guitar and bass noise reduction. It is a small and compact designed pedal but high sensitivity Noise gate controller. Enjoy yourself with the clean and pure guitar/bass tone!

Attentions

Power Supply

Please make sure your pedal is connected to an DC adapter with 9V ($\pm 10\%$) voltage. Unplug the DC adapter when not using the product or during the thunder storm.

Connections

Please always turn off the power of the relevant equipment when connecting or disconnecting with the pedal. It will help to prevent the damage cause to this product and other relevant equipment.

Interference

Radio and television which is placed nearby the pedal may cause reception interference. Please use the product in a suitable distance from radios and television.

Location

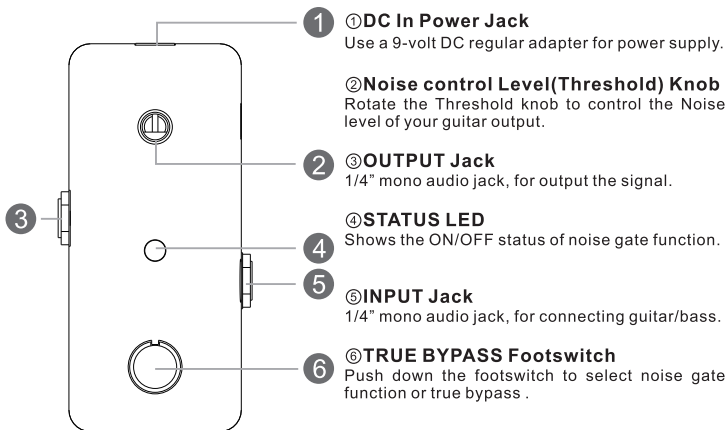
Radio and television which is placed nearby the pedal may cause reception interference. Please use the product in a suitable distance from radios and television.

- Direct sunlight
- Heat sources
- Magnetic fields
- Extreme temperature or humidity
- Excessive dusty or dirty location
- High humidity or moisture
- Strong vibrations or shocks

Main Characteristic

- Metal shell with compact and very small design
- True bypass footswitch
- DC 9V adapter power supply
- Perfect noise control, your guitar will get a "clean" signal even with huge gain

Control Panel Instruction



Technical Specifications

INPUT	1/4" monaural jack(impedance:2.2M Ohms)
OUTPUT	1/4" monaural jack(impedance:100K Ohms)
Power Supply	DC adapter 9V
Current Draw	5mA(DC 9V)
Dimensions	90mm(D) x 40mm(W) x 49.5mm(H)
Weight	300g
Accessories	User manual